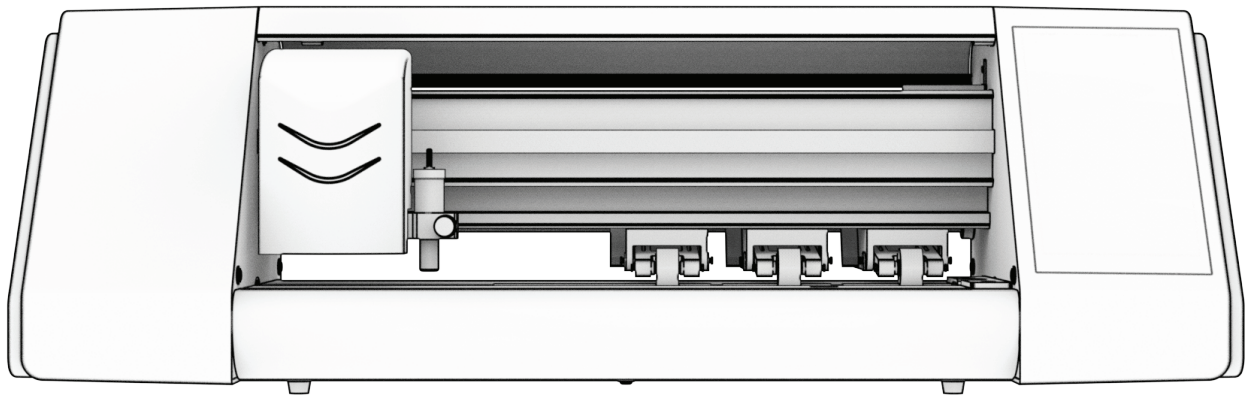




ISOD Matless



User Guide

PLEASE NOTE THIS MACHINE IS TO BE
USED FOR COMMERCIAL USES ONLY.

IMPORTANT SAFETY INSTRUCTIONS



READ THESE IMPORTANT SAFETY INSTRUCTIONS

THIS DEVICE IS INTENDED FOR RETAIL USE ONLY

WARNING

To reduce the risk of fire, electrical shock or personal injury, it is important that you read and understand all the instructions and warnings that come with InvisibleShield on Demand (ISOD) Matless (ML) Electronic Cutter Machine ("Product").



ELECTRICAL SHOCK HAZARD

Product is an electrical device. Use with caution. Observe the following precautions:

- Do not operate Product on wet surfaces or near any water sources (tub, shower, sink, etc.).
- Keep liquids and beverages away from Product.
- Unplug Product from outlet when not in use or before cleaning.
- Unplug Product when removing or installing Blades or Blade Holder.



PINCH HAZARD

Cutting Carriage can pinch fingers or hand. Feed Rollers can catch hair or clothing.

- Keep fingers away from moving parts.
- Keep hair and clothing away from moving parts.



CUTTING HAZARD

Cutting Blades are sharp. Handle with care.

- Keep fingers away from tip of exposed blade.



Keep away from Children

- Choking hazard. Small parts.

GENERAL SAFETY RULES:

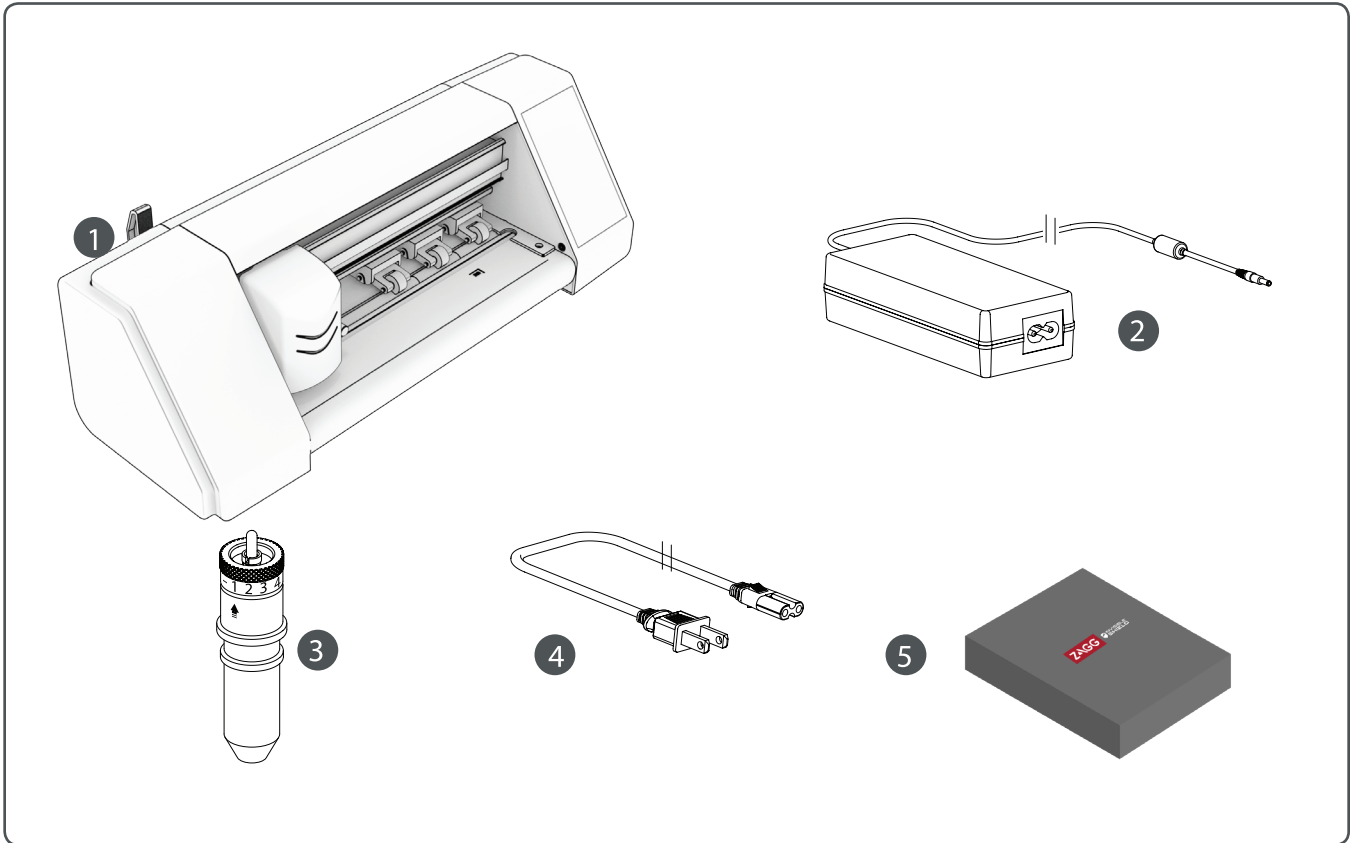
- Read and understand all the instructions and warnings that come with the Product.
- Always operate Product on a dry, clean, level surface.
- Do not operate Product with wet hands.
- Keep area of operation well lit.
- Do not operate Product near flammable liquids or gases.
- Do not operate Product out of doors.
- Do not unplug Product by tugging or pulling the power cord.

SAVE THESE INSTRUCTIONS AND WARNINGS and keep them near your ISOD Matless Machine.
Please visit zaggisod.com/docs/ for more information.

NOTICE

The device complies with Part 15 of the FCC Rules. Operation is subject to the following two conditions: (1) this device may not cause harmful interference, and (2) this device must accept any interference received, including interference that may cause undesired operation.

CONTENTS



CONTENTS

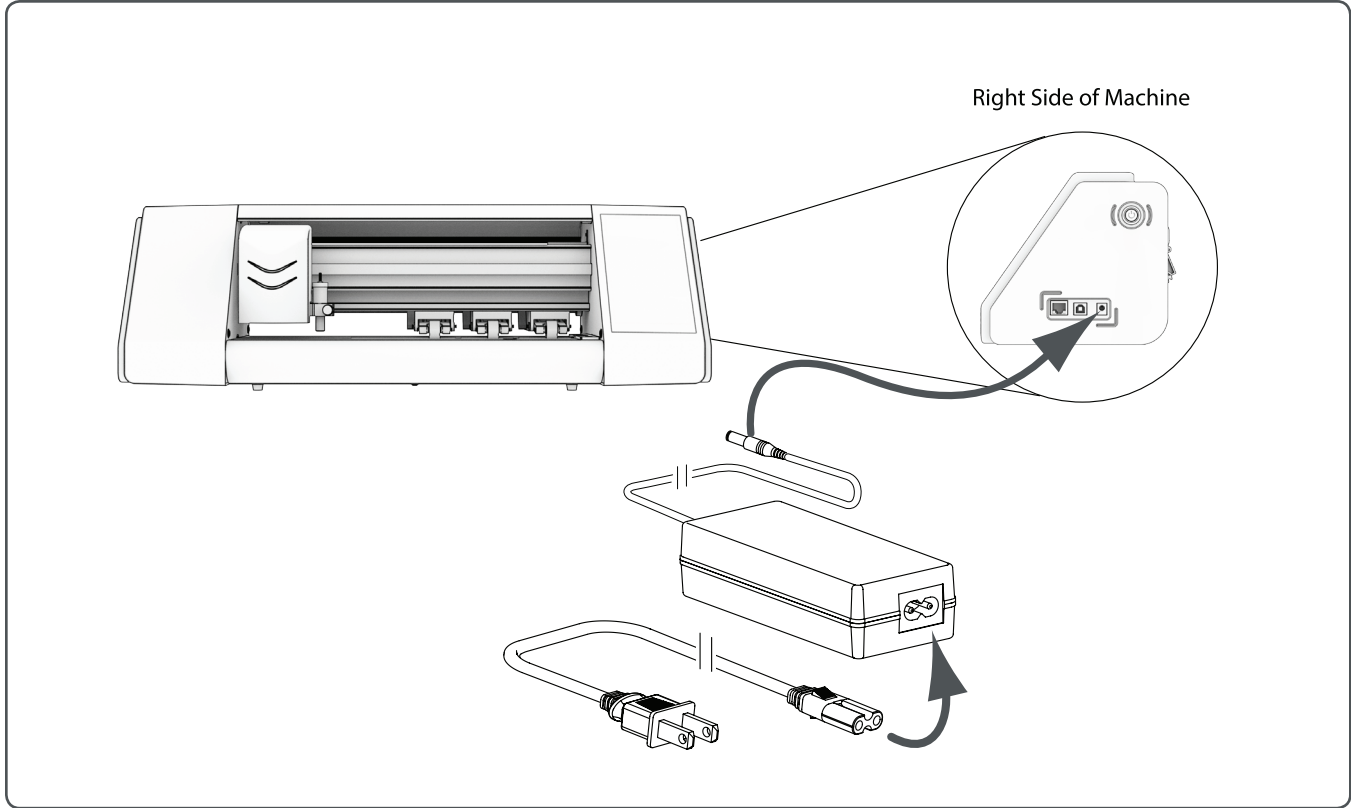
1. ISOD Matless Machine (540 x 178 x 178mm)
2. Universal Power Supply
3. Blade Holder
4. Power Cord (Region Specific)
5. Install Kit
 - Wearable Squeegee x 1
 - Smartphone Squeegee x 2
 - Phablet Squeegee x 1
 - Tablet Squeegee x 1
 - Installation Mat x 1
 - Microfiber Cloth x 2
 - Cutting Blade x 2
 - Cleaning Solution (6 oz) x 1

ISOD Support

Full support for all InvisibleShield on Demand products and services from ZAGG.

SET UP

CONNECTING

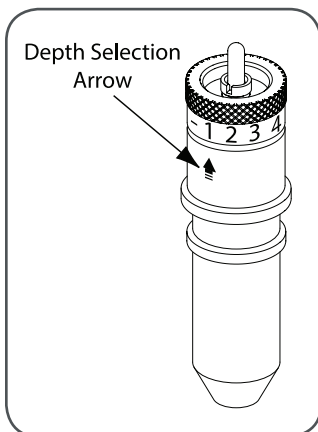


1. Plug Power Cord into Universal Power Supply.
2. Plug Universal Power Supply into side of ISOD Matless Machine.

SETTING THE BLADE DEPTH

NOTICE

DO NOT adjust blade depth while ISOD Matless Machine is operating.



Printed on a ring around the Blade Holder Top are Blade Depth Settings, ranging from 0 to 10. These numbers can be selected individually by setting the Depth Selection Arrow on the number relative to the material you will be cutting.

As a general rule, thinner materials, require a lower number Blade Depth Setting, while thicker materials require a higher number Blade Depth setting.

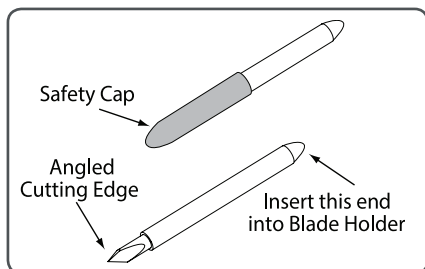
For optimal results, try a test cut and make the necessary adjustments to the settings before performing the final cut.

✓ Lower Number for Thinner Material
Higher Number for Thicker Material

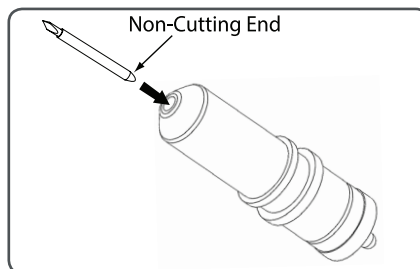
INSERTING THE BLADE INTO THE BLADE HOLDER



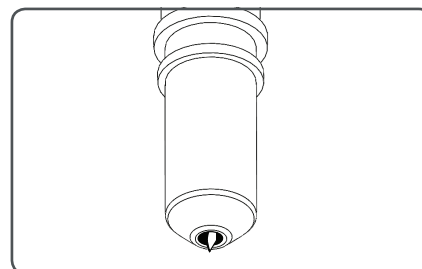
CAUTION: CUTTING HAZARD Blade is sharp, handle with care.



- 1 Carefully remove Safety Cap from Blade, exposing Angled Cutting Edge.



- 2 Carefully insert Non-Cutting End of Blade into hole at bottom of Blade Holder. Blade is held in place magnetically.



- 3 Note that Blade is exposed, but barely visible, when inserted properly.

INSTALLING THE CUTTING BLADE HOLDER



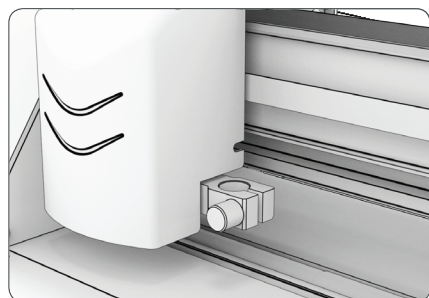
WARNING: MOVING PARTS Keep fingers, hair and clothing away.



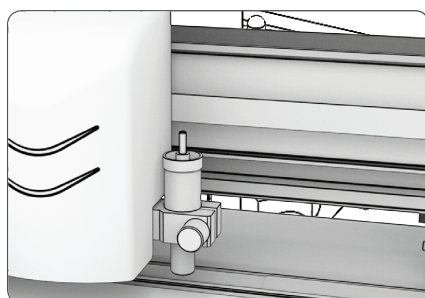
CAUTION:  Always unplug ISOD Matless Machine before removing or installing Blade Holder.



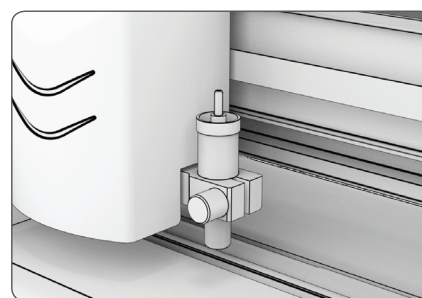
CAUTION: CUTTING HAZARD Keep fingers away from exposed blade.



- 1 Loosen Clamp by turning Clamp Screw counterclockwise, approximately 1/2 of a turn.



- 2 Place Blade Holder into Clamp, making sure that Depth Selection Arrow is facing out.



- 3 Tighten Blade Holder by turning the Clamp Screw clockwise, until Blade Holder is secure.

COMPOSITION/INFORMATION ON INGREDIENTS

CHEMICAL NAME	CAS NO.	CONCENTRATION
Water	7732-18-5	97.48%
Cocoamidopropyl betaine	86243-76-7	1%
D-Glucopyranose, oligomeric, C	/	0.5%
EDTA	139-33-3	0.02%
Biguanide	56-03-1	0.3%
Benzalkoniumchloride	63449-41-2	0.2%
Ethanol,2,2'- isopropylidenebis	901-44-0	0.5%

FIRST AID MEASURES

General measures:

In all cases of doubt, seek medical attention.

Following inhalation:

Remove affected individual to fresh air and keep at rest in a position comfortable for breathing.

Following skin contact:

Wash with plenty of soap and water. If skin irritation or rash occurs, get medical advice/attention. Take off contaminated clothing and wash it before reuse.

Following eye contact:

Rinse cautiously with water for several minutes. Remove contact lenses, if present and easy to do so. Continue rinsing.

If eye irritation persists, get medical advice/attention.

Following ingestion:

Rinse mouth. Seek medical advice/attention if you feel unwell.

